

# Manual / Data Sheet

## Quick Connection Valve Couplings



**THE No. 1 System  
for Solvent Safety**



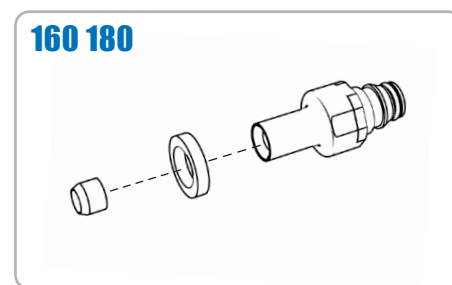
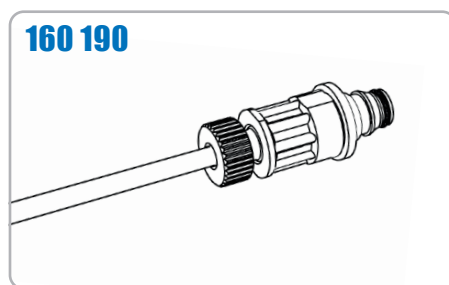
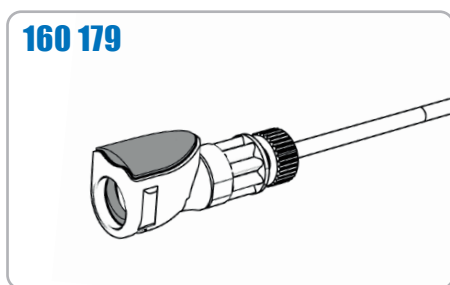
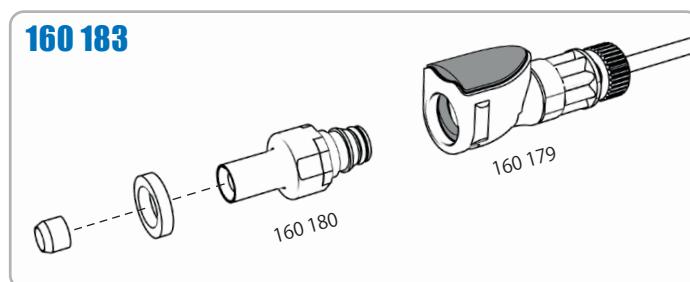
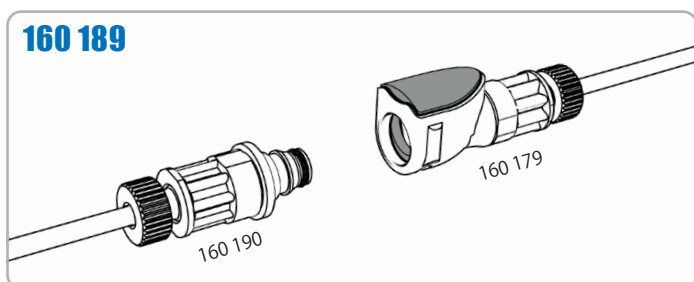
### Benefits

- including **non-spill shutoff valves**
- **Closed system** for drip-free disconnect
- **Ultra low** air inclusion
- **Minimizes contaminants**
- Eliminates the need to purge air bubbles from the system
- Intuitive interface
- User friendly ergonomic design enables a secure, reliable connection
- Chemically resistant materials
- Reliable strength and performance in a range of applications

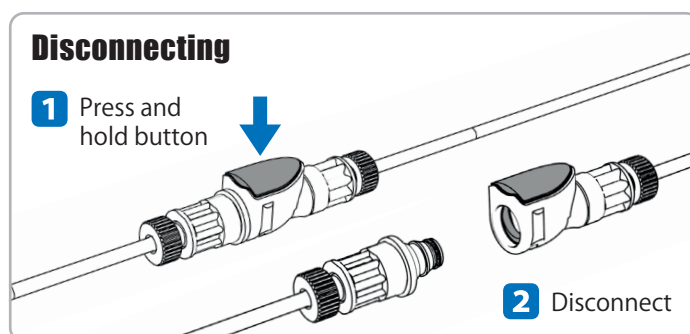
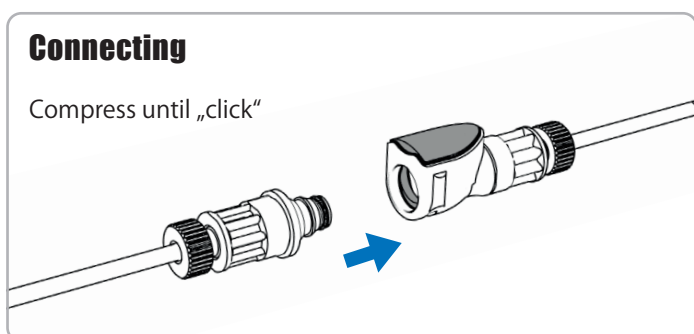
### Specifications

<b>Pressure</b>	Vacuum to 15 psi, 1.0 bar
<b>Temperature</b>	32°F to 120°F (0°C to 49°C)
<b>Materials</b>	<b>Main components:</b> Glass-filled polypropylene, PEEK®, polypropylene <b>Thumb latch:</b> PEEK® <b>Springs:</b> 316 stainless steel <b>O-rings:</b> EPDM
<b>Color</b>	Gray
<b>Tubing Sizes</b>	1/8" OD (3.2mm)
<b>Spillage</b>	0.02 cc per disconnect rated @ 15 psi
<b>Inclusion</b>	0.01 cc per connect

## Parts Overview



## Basic Function



**160 189  
Assembly**

**1**

Connect 3.2mm OD flanged tubing to both coupling units, using the delivered fittings

160 190

160 179

**2**

Connect coupling units

**3**

Connection is ready to operate.

**160 189  
Use with S.C.A.T. SafetyCaps**

**1**

Lead tubing through fitting and cap as shown in the picture. Adjust proper length of tubing for comfortable operation.

**2**

Adjust proper length of tubing inside the bottle (cut if necessary)

**3**

Connect solvent line to your HPLC

**4**

Fix tubing by tightening the fitting

**5**

Connection is ready to operate.

160 179

160 190

160 190

160 190

160 190

160 190

160 190

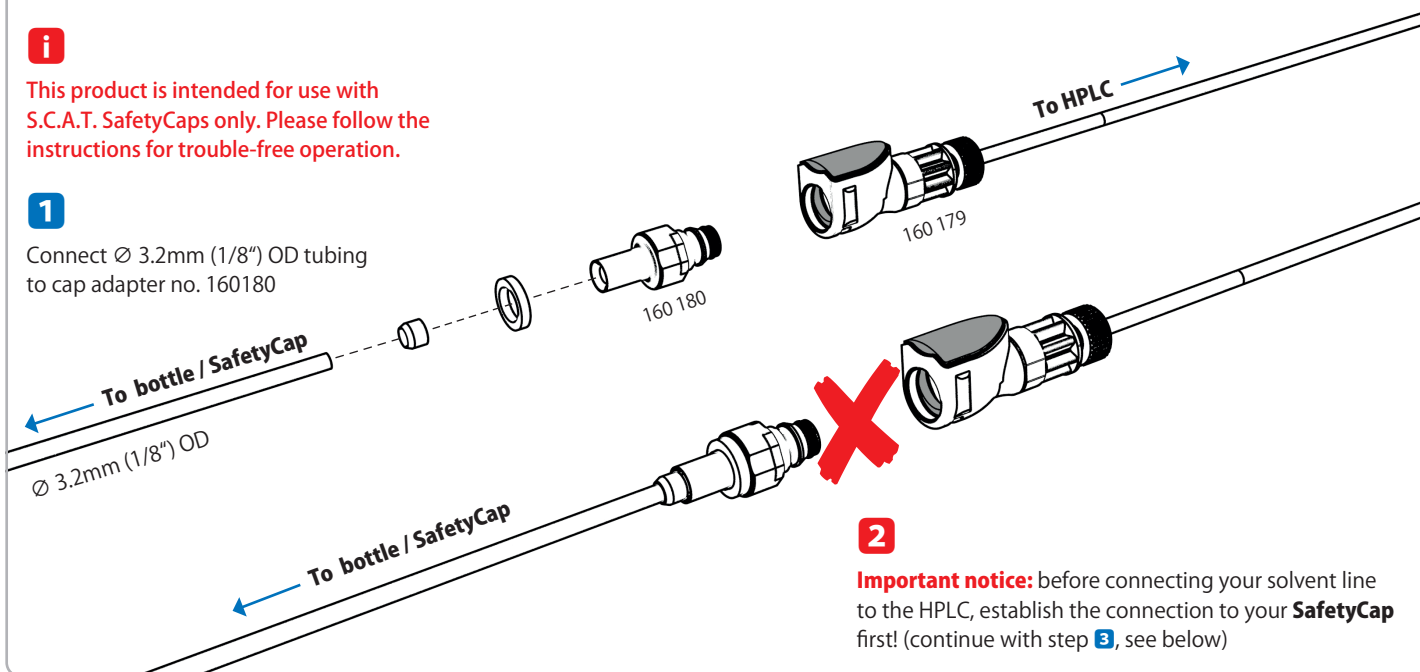
**160 183  
 Assembly**



This product is intended for use with S.C.A.T. SafetyCaps only. Please follow the instructions for trouble-free operation.



Connect  $\varnothing$  3.2mm (1/8") OD tubing to cap adapter no. 160180



**Important notice:** before connecting your solvent line to the HPLC, establish the connection to your **SafetyCap** first! (continue with step **3**, see below)

**160 183  
 Use with S.C.A.T. SafetyCaps**

160 180



Lead tubing through your SafetyCap and place 160 180 as shown in the picture. Fix tubing by screwing 160 180 into your SafetyCap.

160 179



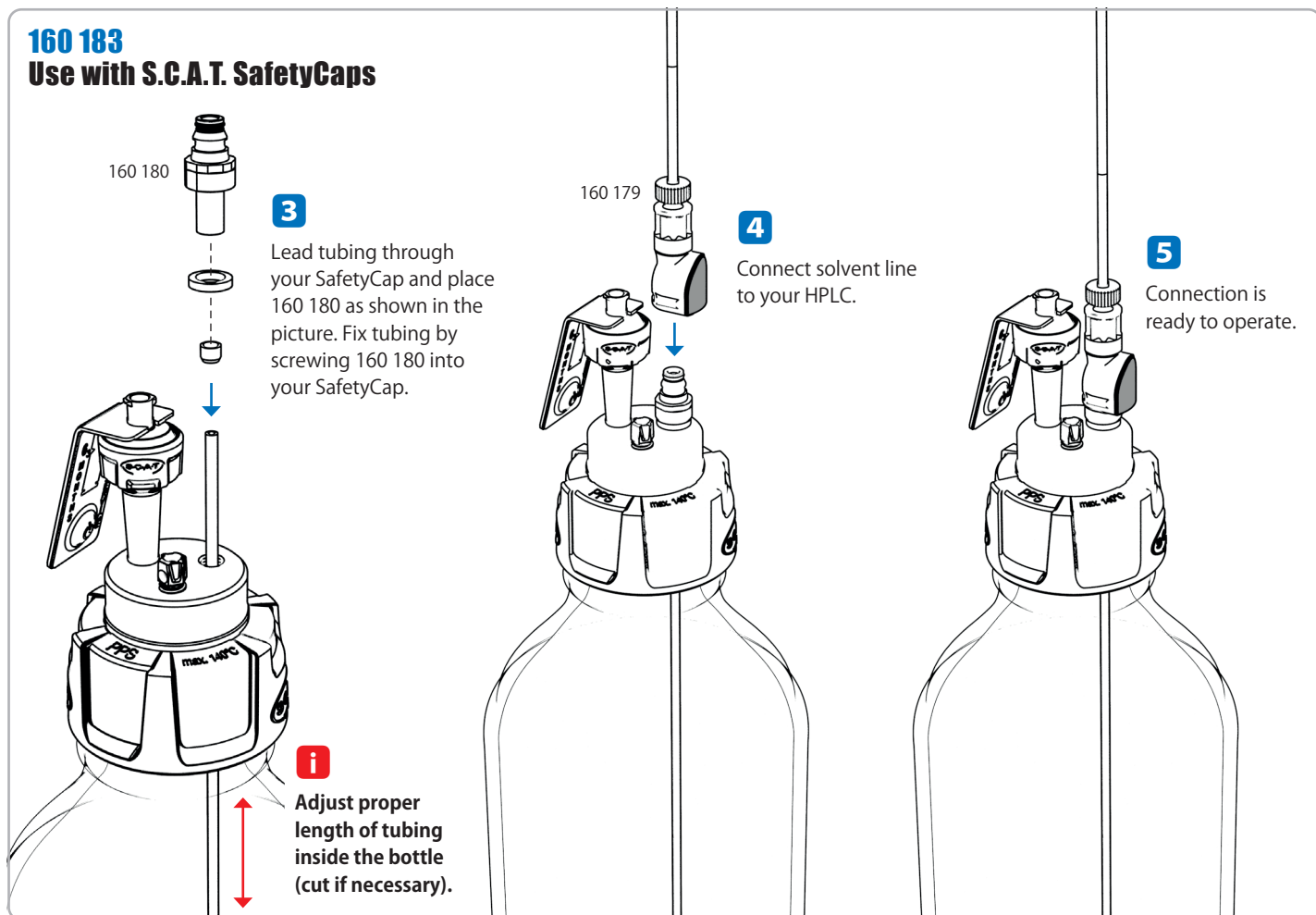
Connect solvent line to your HPLC.



Connection is ready to operate.



Adjust proper length of tubing inside the bottle (cut if necessary).





## **S.C.A.T. Europe GmbH**

Waldecker Straße 7  
64546 Mörfelden-Walldorf  
Germany

 **+49 (0) 61 05 / 30 55 86 - 0**

 **+49 (0) 61 05 / 30 55 86 - 99**

 **info@scat-europe.com**

 **www.scat-europe.com**



## **S.C.A.T. Americas, Inc.**

1704 East Blvd., Suite 101  
Charlotte, NC 28203  
USA

 **+1.704.438.9477**

 **+1.704.373.2603**

 **info@scat-americas.com**

 **www.scat-americas.com**

